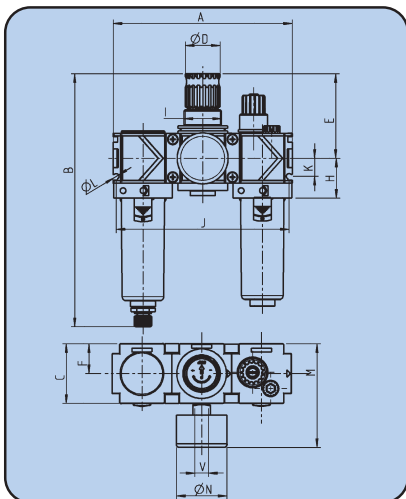
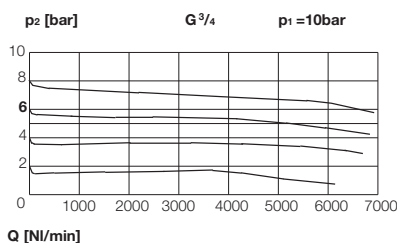
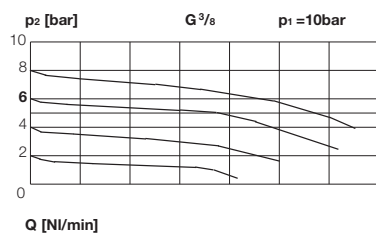


D



Rates of flow



Dimensions [mm]

Thread	A	B	C	ØD	E	F	H	I	J	K	ØL	M	ØN	V
G ^{1/4} and G ^{3/8}	144	203	48	28	68	24	32	M30x1,5	139	14,5	4,4	84	40	G ^{1/4}
G ^{1/2} and G ^{3/4}	210	273	70	39	98	35	44	M42x1,5	194	18	5,4	106	50	G ^{1/4}
G ¹ ***	265	273	70	39	98	35	44	M42x1,5	194	18	5,4	106	50	G ^{1/4}

The number of possible variations which can be created by the simple blockmounting of individual units to form air treatment units is naturally countless. We have listed some of the most frequently-used versions below. As regards filters, there are options for the bowls and drain valves, while for regulators there is generally a pressure range of up to 10bar; various reservoir options are available for the lubricators.

Technical Data

	I	II
Thread	G ^{1/4}	G ^{3/8} G ^{1/2} G ^{3/4} G ¹ ***
Nominal rates of flow*	1500Nl/min	1800Nl/min 3400Nl/min 5000Nl/min
Wideness of pores (filter)		40µm (optionally: 5µm)
Pre-Pressure (p₁) max.**		16bar/20bar with metal bowl
Secondary-pressure (p₂) max.		10bar (opt. 6, 16bar)
Max. operating temperature		50°C****
Volume of condensate	25 cm ³	85 cm ³
Drain valve	manually (opt.: semi-automatic, fully-automatic)	
Oil volume	50 cm ³	125 cm ³
Lubricator function	from 50l/min	from 150l/min
Material		
Housing		zinc alloy
Bowl		polycarbonate
Seals		NBR
Weight (without gauge)	1220g	2800g (G ¹ =3260g)

* measured at 10bar pre-pressure (p₁), 6bar secondary pressure (p₂) and Δp=1 bar, after ISO 6953

** with internal-automatic drain valve between 1,0 and 12 bar

*** mounting plates with G¹ see page 17

**** 80°C with metal bowl and oiler dome out of metal

External-automatic drain valve see page 18

Recommended oil see page 10

Fixing- and assembly-

possibilities see page 17

special option - how to order:

489.x x x x

		bowl / option		
0	Compact			S plastic bowl
1	Compact with T-bracket	fixing		S bowl protection (not Size II)
2	Comfort (not Size II)			M metal bowl
				A lockable
				D gauge with color code
				0-16bar
BG I	2 - G ^{1/4}	BG II	6 - G ^{1/2}	
	3 - G ^{3/8}		8 - G ^{3/4}	
			9 - G ¹ ***	
2	manually-operated drain valve + gauge	6	external-automatic drain valve A + gauge	
3	internal-automatic drain valve + gauge	7	internal-automatic drain valve without gauge	
4	manually-operated drain valve without gauge	8	external-automatic drain valve A without gauge	
5	semi-automatic drain valve + gauge	9	semi-automatic drain valve without gauge	

Accessories and main spare parts see stand-alone device

Wear parts

	I	II
Diaphragm complete (with slip ring)	480-92	480-263
Seal cone complete	481-17	480-218
Regulation insert	483-3	-

Advice:

Pressure gauge
(self tightened)
added loosely

Upon request:

Cover "private label"
Thread NPT