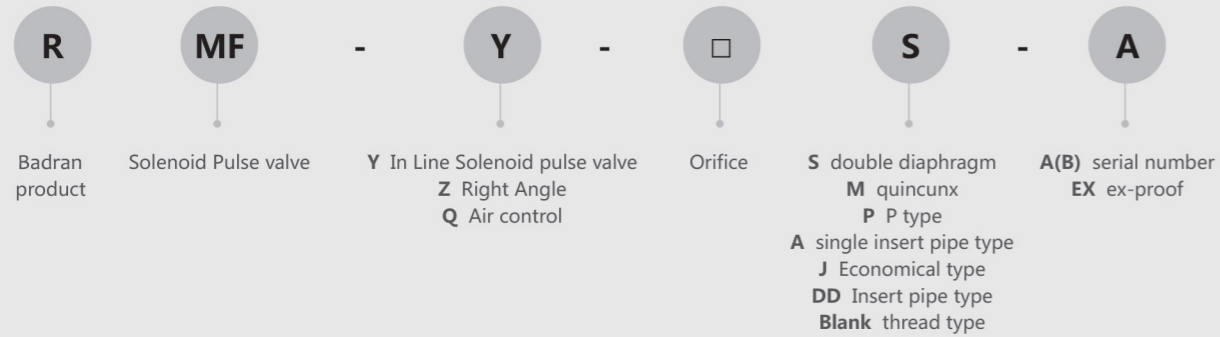


Right Angle Pulse Jet Valve

- Introduction of advanced international technology and make some improvements
- Pulse Valve used for controlling the compressed air of dust remover filter system
- The key components adopt advanced material
- Pneumatic control type, solenoid control type and Ex-proof solenoid control type for optional
- Female thread connection port, it is easy for installing
- Aluminium Dicast material



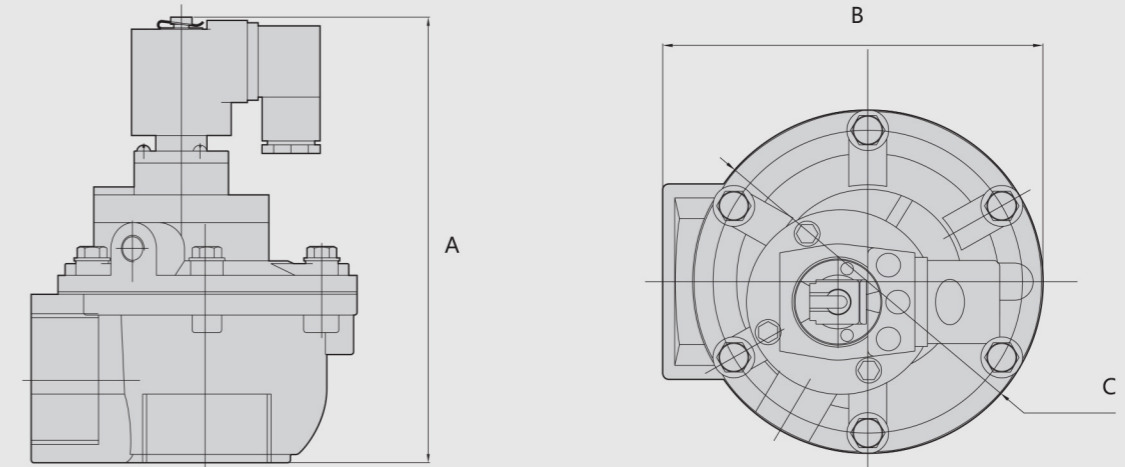
Ordering Code



Parameters

Model	Working pressure	Ambient Temp.	Relative Humidity	Media	Voltage	Power	Diaphragm Life	Orifice	Connection ports
RMF-Z-15M	0.3 ~ 0.8MPa	-5~55° C	< 85%	Clean Air	AC110V AC220V DC24V ±10%	DC20W	Over one Million cycles	Φ15mm	G1/2"
AC25VA						Φ20mm		G3/4"	
DC12W						Φ20mm		G3/4"	
AC15VA						Φ25mm		G1"	
DC20W						Φ20mm		G3/4"	
AC25VA						Φ25mm		G1"	
DC21W						Φ20mm		G3/4"	
AC18VA						Φ25mm		G1	
DC20W/AC25VA						Φ35mm		G1 ¹ / ₂ "	
DC30W/AC28VA						Φ40mm		G1 ¹ / ₂ "	
DC20W/AC25VA						Φ45mm		G1 ¹ / ₂ "	
DC30W/AC28VA						Φ50mm		G2"	
DC20W/AC25VA						Φ50mm		G2"	
DC30W/AC28VA						Φ62mm		G2 ¹ / ₂ "	
DC20W/AC25VA						Φ62mm		G2 ¹ / ₂ "	
DC30W/AC28VA						Φ76mm		G3"	
DC20W						Φ25mm		Φ35	
AC25VA						Φ40mm		Φ50	

Overall Dimension



Model	A	B	C
RMF-Z-15M	124	102	Φ92
RMF-Z-20M	124	102	Φ92
RMF-Z-20J	124	88	Φ74
RMF-Z-25J	124	88	Φ74
RMF-Z-20P	124	104.5	82.5×82.5
RMF-Z-25P	124	104.5	82.5×82.5
RMF-Z-20	112	88	Φ74
RMF-Z-25	112	88	Φ74
RMF-Z-35P	142	121	Φ111.5
RMF-Z-40S	162	131	Φ117
RMF-Z-45P	174	138	Φ126
RMF-Z-50S	202	205	Φ184
RMF-Z-50S-A	208	167.5	Φ145
RMF-Z-62S	222	210	Φ185
RMF-Z-62S-A	208	167.5	Φ145
RMF-Z-76S	245	230	Φ200